

RECOMMENDED MOUNTING INSTRUCTIONS

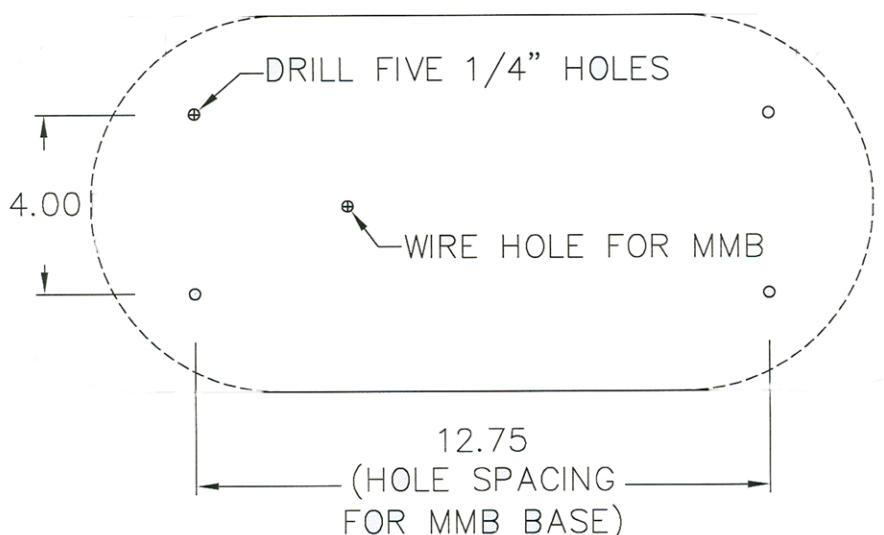
FOR ALL MMB625, MMB35 and MMBLEDFL SERIES LIGHT BARS

Excluding LOW PROFILE "LP" Series Micro-Mini Bars

*****Proper installation of this product is the sole responsibility of the installer*****

1. Locate a flat surface on vehicle and position light parallel to the ground.
2. In the interior of the vehicle, loosen upholstery at mounting location. For non-roof mounts adapt bolt pattern to surface provided.
3. Use center-punch if available to start five (5) holes. Four (4) holes should be positioned following the mini-bar layout described below. A fifth hole should be punched and drilled for the wire feed. Drill out all five (5) holes with a 1/4" drill.
4. Insert wire through center hole and position mounting bolts in holes.
5. Connect **red wire** to power (+) and **black wire** to ground (-) if provided. If ground wire is not provided, the unit is grounded thru the mounting bolts.
6. Follow wiring instructions for a switch if provided ----- TEST LIGHT
7. Install washers and hex nuts and tighten down mounting bolts until gasket seals light to the surface of the vehicle.
8. Replace upholstery to original position if applicable.

PROBLEMS INSTALLING YOUR LIGHT OR LIGHT NOT WORKING?
DO NOT RETURN LIGHT TO PLACE OF PURCHASE!!!! PLEASE REFER
TO BACK OF THIS SHEET FOR REPAIR/WARRANTY INSTRUCTIONS



*******CLEAN DOME WITH WATER ONLY*******

DRAWING NOT TO SCALE